

Conductivity Level Probe Holder and Probes

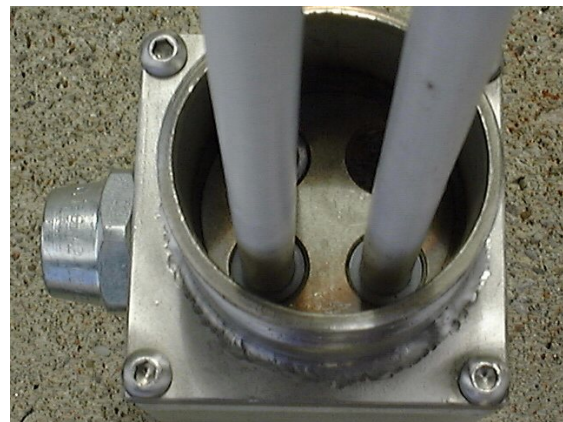
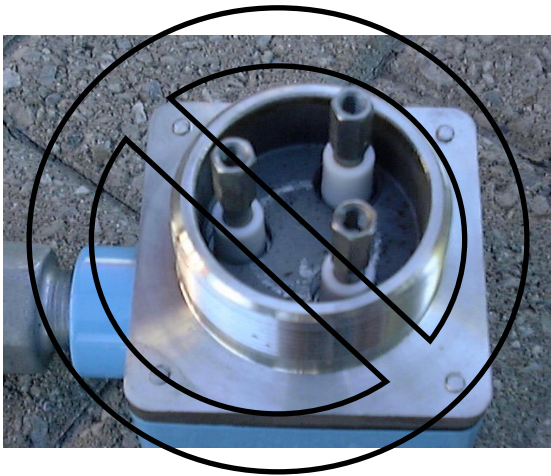
Description

Standard 1/4" Probe models can use up to 5 Probes and still mount to 2" FNPT tank couplings or to 2" flanges. Features of this unit include Teflon coated probe options for higher reliability of probe measurements.

Harsh environments with high humidity will require this unit because of its excellent insulation of conductive components at the probe attachment points. This unit is completely isolated and no bare conductors protrude from the box. This is a required feature necessary to eliminate bridging in condensing environments.

Features

- **Stainless steel wetted parts**
- **Convenient 2" NPT Mounting with up to 5 probes**
- **Positive sensing**
- **Low profile design**
- **Custom configurations available**
- **NEMA 4X Enclosure**



Other probe Holders, with their conductive connections in the tank are susceptible to probes falling off, bridging and false signals from humidity, process debris etc.....

Aslan Probe holder CL4210 with 1/4" Teflon Coated 316 Stainless Steel Probes CLP22 cannot be fouled from the process side by humidity or by product debris, and are mechanically held by 2 methods!



Warranty

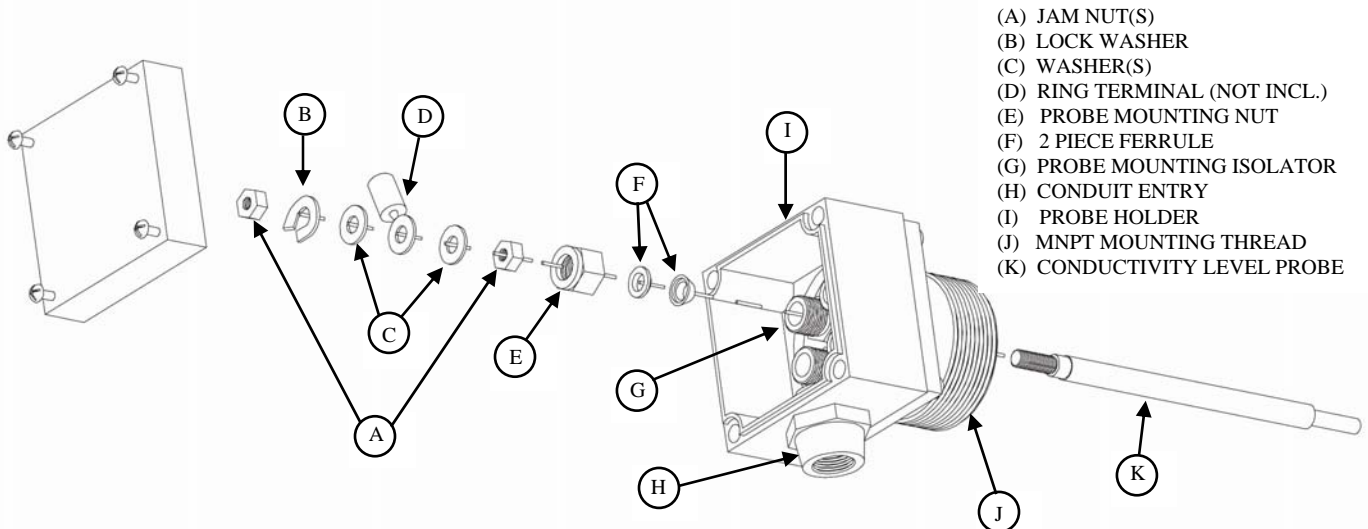
Aslan Technologies Inc. guarantees the material and components for a period of one year from the date of shipment from our plant in Burlington, Ontario, Canada. The guarantee shall not extend to defects caused by improper installation or use not in accordance with the instructions outlined in this operating manual. The guarantee will cover parts and replacement labour at no charge if the product is returned to the Burlington location and will cover parts only if repaired on-site. On-site service rates are available upon request.

Assembly Instructions

Supplied Items:

1-NEMA 4X Aluminum Enclosure

1,2,3 or 4 - Nylon Probe Mounting Isolators (installed)



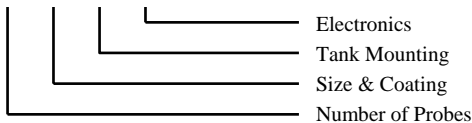
1. Remove the two jam nuts, flat washers, ring terminal and lock washer from probe(s).
2. Loosen but do not remove nut from nylon probe mounting isolator(s) using an 11/16" socket.
3. Insert probe, threaded end first, into bottom of holder through the required isolator. Be sure to align the probe such that the thread will not come into contact with the lid of the enclosure and that the ferrule in the probe mounting isolator will grip the probe insulation.
4. Tighten the Nylon probe mounting isolation nut against the probe insulation.
5. Crimp the signal wire to the ring terminal. (if required)
6. Install the nut, 1/4" flat washer, ring terminal, 1/4" flat washer, lock washer and nut to the probe end and tighten the jam nuts. (This may require holding the sensing tip of the probe (non-threaded) with a tool such as vise grips).
7. Install the holder into the tank coupling.

Note: For removal/replacement of probes, alignment of the isolator's nut with the bottom hex may be required.

Ordering Instructions

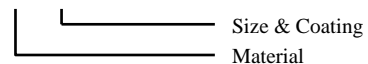
Conductivity Level Probe Holder

CL X X X X



Conductivity Level Probes

CLP X X



Option	Electronics	Tank Mounting	Size & Coating	Number of Probes	Material
0	None				
2	Two separate level functions, 1 NO & 1 NC contact, 10 amp	2" Flange (304SS)	1/4" w/ Teflon	Two	316SS (std)
5			1/2" w/ Teflon	Five (fifth probe grounded to box)	

Note: All probes have a standard length of 6' with other lengths available by custom order.

NOV 2003